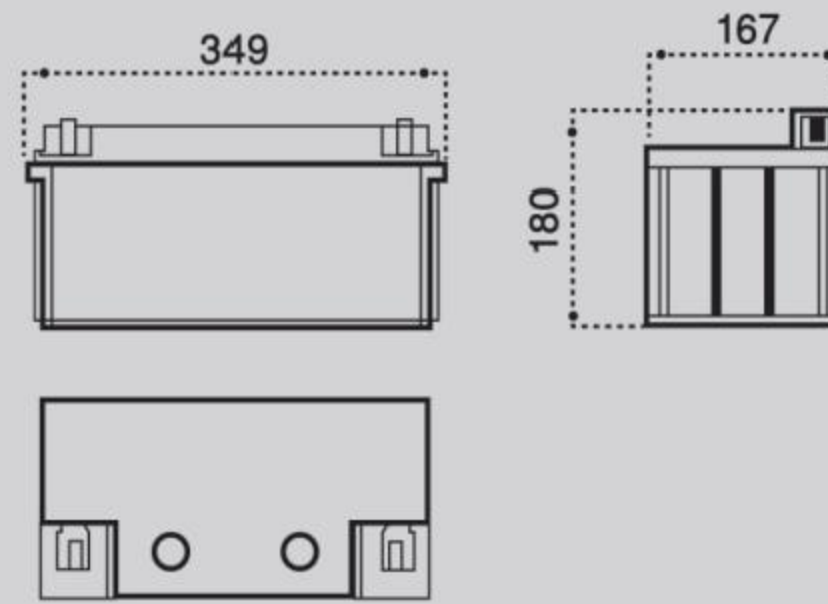


# 12 SB 65 (12V 65Ah)



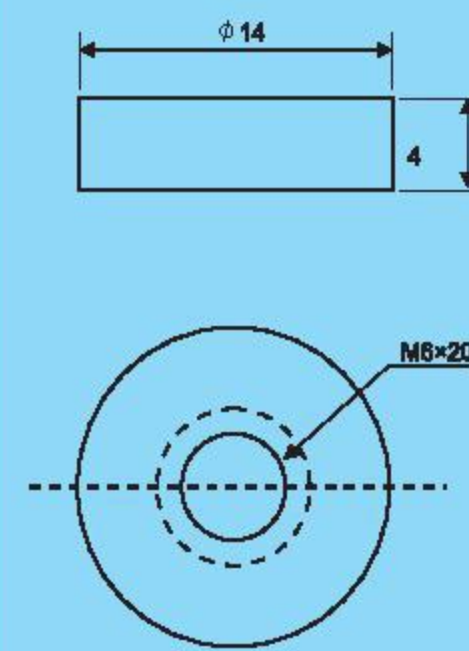
## Outer Dimensions (mm)



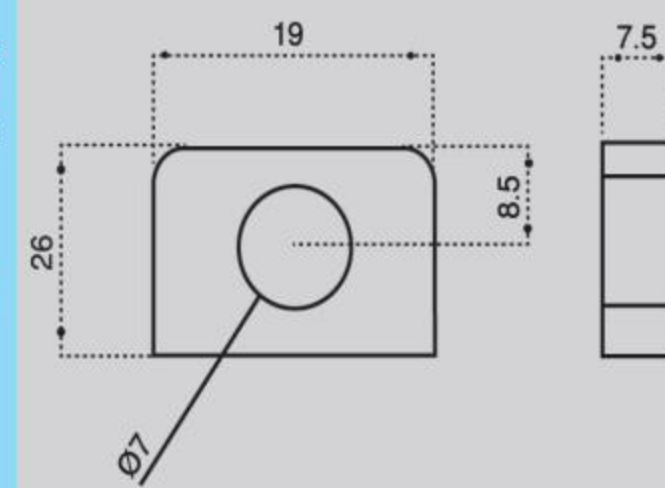
## Specifications

Nominal Voltage		12 V
Rated Capacity ( 10 Hour Rate )		65 Ah
Dimensions	Total Height	185 mm
	Height	180 mm
	Length	349 mm
	Width	167 mm
Terminal		F1 / F2
Container Material		ABS (UL94-HB/V0)
Weight Approx (±2.5%)		22 Kg

## Terminal Type brass core (mm) ( F1 )



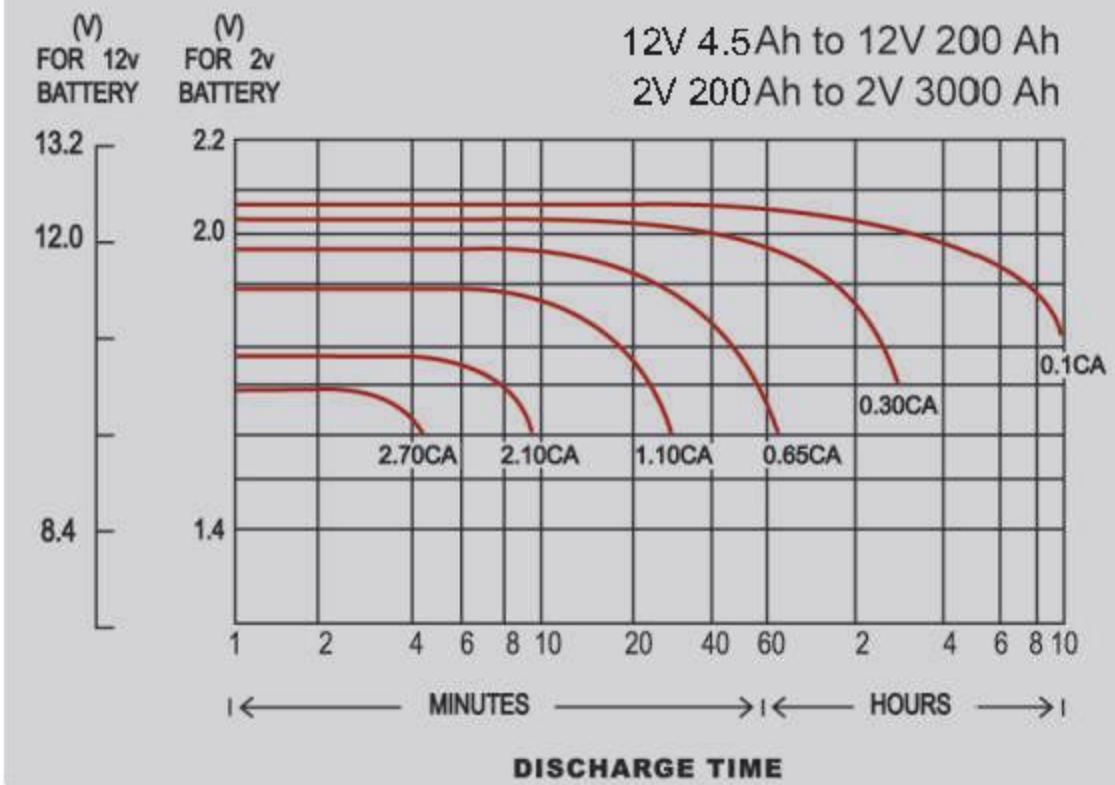
## Terminal Type bolt and nut (mm) ( F2 )



## Characteristics

Capacity 25°C (77°F)	10 hour-rate 3 hour-rate 1 hour-rate	65 Ah 46.5 Ah 34 Ah
Internal Resistance	Full Charge Battery at 25°C (77°F)	5 mΩ
Capacity Affected by Temperature (10 Hour Rate)	35°C 25°C 0°C -10°C	66 Ah 65 Ah 55 Ah 49 Ah
Self-Discharge at 25°C (77°F)	Capacity After The 3 Month of Storage Capacity After The 6 Month of Storage Capacity After The 12 Month of Storage	91 % 82 % 64 %
Charge Constant Voltage	Cycle	Voltage 2.40-2.45 / Cell
	Float	Voltage 2.23-2.28 / Cell

## Discharge Curves 25°C (77°F)



## Discharge and Final Voltage Table According to IEC60896-21 Standard

Discharge time	0.25 h	1 h	3 h	5 h	8 h	10 h
Final voltage	1.60 VPC	1.60 VPC	1.70 VPC	1.73 VPC	1.75 VPC	1.80 VPC

## Constant Current (A) Discharge Table at 25°C (77°F)

Amount of Current (A)	Discharge Time						
	1 h	2 h	3 h	5 h	8 h	10 h	20 h
34	20.7	15.5	10.1	7.2	6.5	3.51	