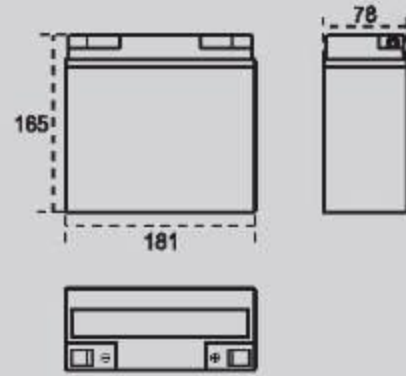


12 SB 18 (12V 18Ah)



RAEMT

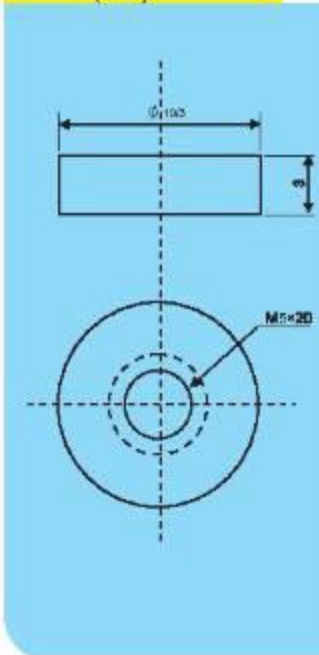
Outer Dimensions (mm)



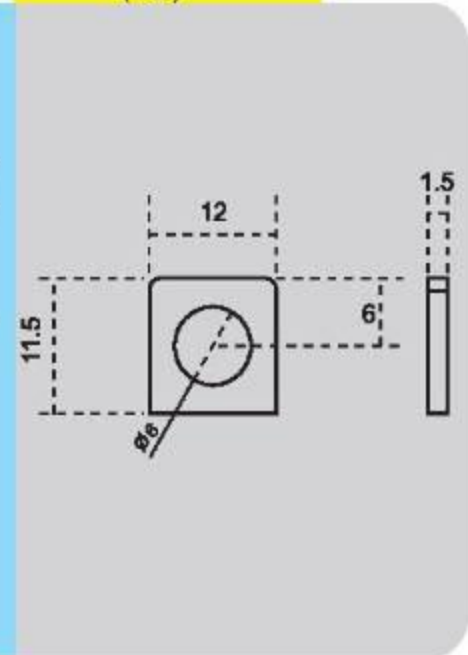
Specifications

Nominal Voltage		12 V
Rated Capacity (10 Hour Rate)		18 Ah
Dimensions	Total Height	165 mm
	Height	165 mm
	Length	181 mm
	Width	78 mm
Terminal		F1 / F2
Container Material		ABS (JL94-HB/V0)
Weight Approx (+2.5%)		5.8 Kg

Terminal Type brass core (mm) (F1)



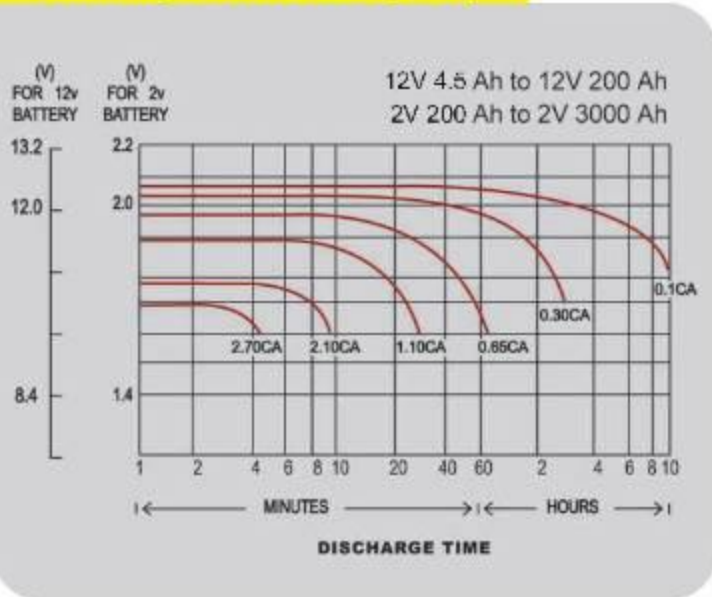
Terminal Type bolt end nut (mm) (F2)



Characteristics

Capacity 25°C (77°F)	10 hour-rate 3 hour-rate 1 hour-rate	18 Ah 12.9 Ah 9.4 Ah
Internal Resistance	Full Charge Battery at 25°C (77°F)	15 mΩ
Capacity Affected by Temperature (10 Hour Rate)	35°C 25°C 0°C -10°C	18.3 Ah 18 Ah 15.4 Ah 12.8 Ah
Self-Discharge at 25°C (77°F)	Capacity After The 3 Month of Storage Capacity After The 6 Month of Storage Capacity After The 12 Month of Storage	91 % 82 % 64 %
Charge Constant Voltage	Cycle	Voltage 2.40-2.45 / Cell
	Float	Voltage 2.23-2.28 / Cell

Discharge Curves 25°C (77°F)



Discharge and Final Voltage Table According to IEC60896-21 Standard

Discharge time	0.25 h	1 h	3 h	5 h	8 h	10 h
Final voltage	1.60 VPC	1.60 VPC	1.70 VPC	1.73 VPC	1.75 VPC	1.80 VPC

Constant Current (A) Discharge Table at 25°C (77°F)

Amount of Current (A)	Discharge Time						
	1 h	2 h	3 h	5 h	8 h	10 h	20 h
	9.4	6	4.3	2	1.9	1.8	0.95